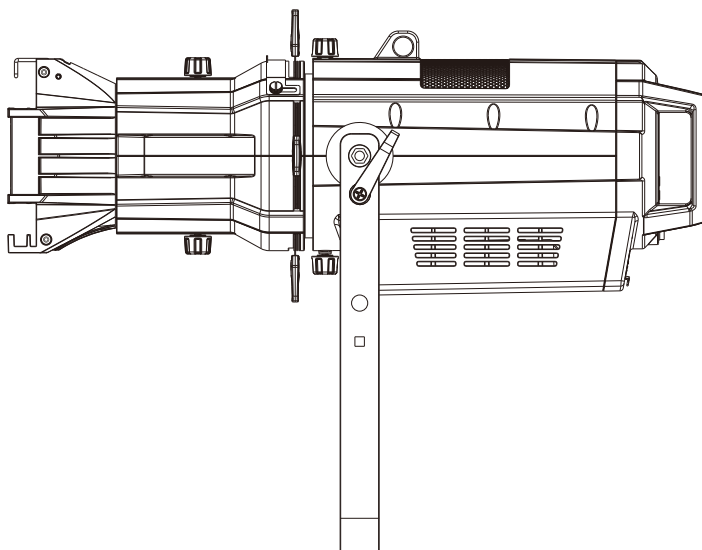


SHOWPRO

EK

eprofilehp

LED PROFILE SPOT - HIGH POWER



USER MANUAL

EN




WARNING! Before carrying out any operations with the unit, carefully read this instruction manual and keep it with care for future reference. It contains important information about the installation, usage and maintenance of the unit.



SAFETY

General instruction

- The products referred to in this manual conform to the European Community Directives and are therefore marked with **CE**.
- The unit is supplied with hazardous network voltage (230V~). Leave servicing to skilled personnel only. Never make any modifications on the unit not described in this instruction manual, otherwise you will risk an electric shock.
- Connection must be made to a power supply system fitted with efficient earthing (Class I appliance according to standard EN 60598-1). It is, moreover, recommended to protect the supply lines of the units from indirect contact and/or shorting to earth by using appropriately sized residual current devices.
- The connection to the main network of electric distribution must be carried out by a qualified electrical installer. Check that the main frequency and voltage correspond to those for which the unit is designed as given on the electrical data label.
- This unit is not for home use, only professional applications.
- Never use the fixture under the following conditions:
 - in places subject to vibrations or bumps;
 - in places with a temperature of over 40 °C.
- Make certain that no inflammable liquids, water or metal objects enter the fixture.
- Do not dismantle or modify the fixture.
- All work must always be carried out by qualified technical personnel. Contact the nearest sales point for an inspection or contact the manufacturer directly.
- If the unit is to be put out of operation definitively, take it to a local recycling plant for a disposal which is not harmful to the environment. 

Warnings and installation precautions

- If this device will be operated in any way different to the one described in this manual, it may suffer damage and the guarantee becomes void. Furthermore, any other operation may lead to dangers like short circuit, burns, electric shock, etc.
- Before starting any maintenance work or cleaning the projector, cut off power from the main supply.
- Always additionally secure the projector with the safety rope. When carrying out any work, always comply scrupulously with all the regulations (particularly regarding safety) currently in force in the country in which the fixture's being used.
- Install the fixture in a well ventilated place.
- Keep any inflammable material at a safe distance from the fixture.
- Shields, lenses or ultraviolet screens shall be changed if they have become damaged to such an extent that their effectiveness is impaired.
- The lamp (LED) shall be changed if it has become damaged or thermally deformed.
- Never look directly at the light beam. Please note that fast changes in lighting, e. g. flashing light, may trigger epileptic seizures in photosensitive persons or persons with epilepsy.
- Do not touch the product's housing when operating because it may be very hot.

TABLE OF CONTENTS**Safety**

General instructions
Warnings and installation precautions
General information

Introduction

Features
Specifications

Maintenance

Cleaning the unit
Fuse replacement
Trouble shooting

Overview**Dimensions****Operation**

Display menu functions
DMX functions
DMX pin diagram

Menu Function Chart**Photometrics****DMX Function Chart**

Packing content

EPROFILE HP

- Mounting bracket
- Power cord
- Warranty card
- User manual

INTRODUCTION

The EPROFILE HP is a high-output LED profile.

FEATURES

- Crisp gobo image projection, even at close range
- Extremely flat field projection
- Higher output than traditional 750W ellipsoidal reflector spotlights
- 200W LED with extremely high light output
- Flawless dimming with consistent color temperature throughout the dimming curve
- Flicker-free output with selectable PWM frequencies for worry-free video
- Quiet operation suitable for studio use
- Power linking (PowerCon In/Out)
- Rugged die-cast body and low-maintenance design
- Master/Slave mode, Auto Shows
- Manual control via onboard menu
- Selection of four dimming curves
- DMX control
- Available lens tubes: 19° - 26° - 36° or 50° (not included)

SPECIFICATIONS

Light Source:	200W COB 3000K (CRI: 93)
Beam Angle:	19° / 26° / 36° / 50°
Output:	7232 / 5115 / 3330 / 1415 LUX @ 5 meters
Focus:	Manual
Strobe:	0-30 Hz
Dimming:	4 dimming curve modes
Control:	DMX
DMX Channels:	2 / 3 / 6
Built-in Programs:	Yes
Display:	OLED function menu with 4 touch buttons
Mains:	100V-240V, 50/60 Hz
Consumption:	205W
Power connections:	Neutrik PowerCon In/Out
Data connections:	5-pin XLR In/Out for DMX
Housing:	Diecast aluminium
Finish:	Matte black
IP rating:	IP20
Cooling:	Active (variable speed fan)
Operating temperature:	0°C to 40°C
Max. Housing:	54°C
Dimensions:	528 x 342 x 526 mm
Weight:	7.11 KG

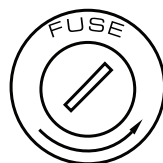
MAINTENANCE

MAINTENANCE AND CLEANING THE UNIT

- Make sure the area below the installation place is free from unwanted persons during setup.
- Switch off the unit, unplug the main cable and wait until the unit has cooled down.
- All screws used for installing the device and any of its parts should be tightly fastened and should not be corroded.
- Housings, fixations and installation spots (ceiling, trusses, suspensions) should be totally free from any deformation.
- The main cables must be in impeccable condition and should be replaced immediately even when a small problem is detected.
- It is recommended to clean the front at regular intervals, from impurities caused by dust, smoke, or other particles to ensure that the light is radiated at maximum brightness. For cleaning, disconnect the main plug from the socket. Use a soft, clean cloth moistened with a mild detergent. Then carefully wipe the part dry. For cleaning other housing parts use only a soft, clean cloth. Never use a liquid, it might penetrate the unit and cause damage to it.

FUSE REPLACEMENT

1. Disconnect this product from the power outlet.
2. Using a screwdriver, unscrew the fuse holder cap from the housing.
3. Remove the blown fuse and replace with a good fuse of the same type and rating (250V/T3.15A).
4. Screw the fuse holder cap back in place and reconnect power.

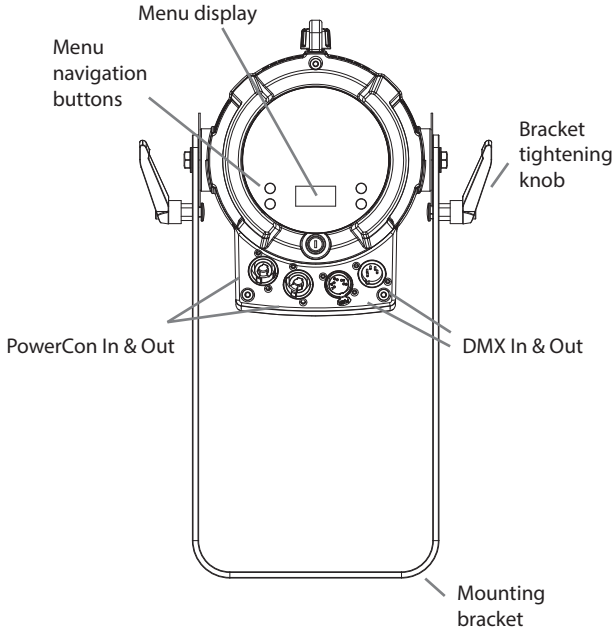
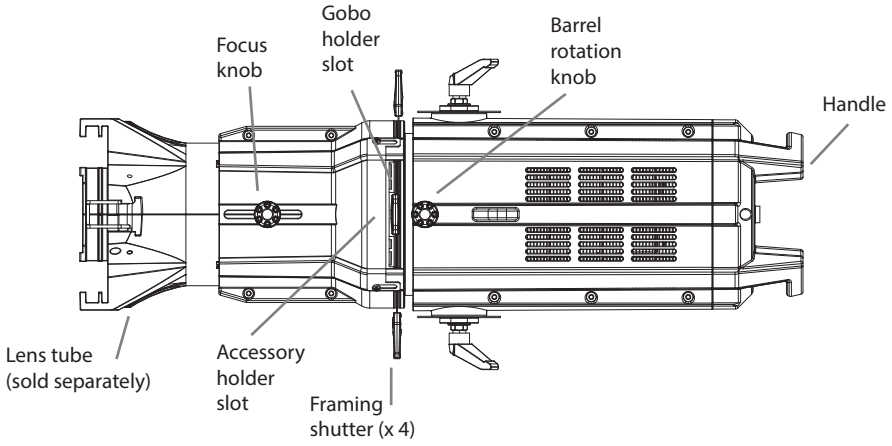


TROUBLESHOOTING

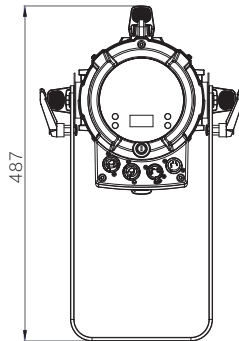
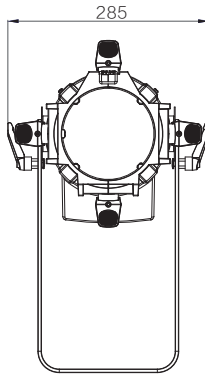
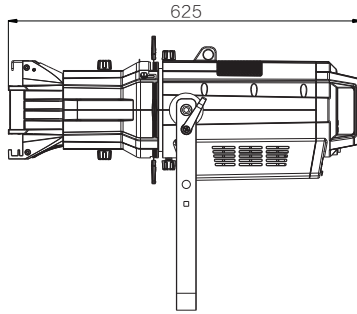
Problems	Possible causes	Checks and remedies
Fixture does not light up	<ul style="list-style-type: none"> • No mains supply • Dimmer fader set to 0 • Faulty LED • Faulty LED board 	<ul style="list-style-type: none"> • Check the power supply voltage • Increase the value of the dimmer channels • Replace the LED board • Replace the LED board
General low light intensity	<ul style="list-style-type: none"> • Dirty lens assembly • Misaligned lens assembly 	<ul style="list-style-type: none"> • Clean the fixture regularly • Install lens assembly properly
Fixture does not power up	<ul style="list-style-type: none"> • No power • Loose or damaged power cord • Faulty internal power supply 	<ul style="list-style-type: none"> • Check for power on power outlet • Check power cord • Replace internal power supply

Contact an authorized service center in case of technical problems or not reported in the table can not be resolved by the procedure given in the table.

OVERVIEW



DIMENSIONS



OPERATION

DISPLAY MENU FUNCTIONS

- DMX Address: Assign DMX starting address to the EPROFILE HP
- DMX Mode: Select either 2-, 3- or 6-channel mode
- Static: Manually set dimming level and strobe rate
- Auto Show: Select one of four preprogrammed shows
- Master/Slave: Set the EPROFILE HP to function either as a master or slave when linking multiple units
- Dimmer Mode: Select the preferred dimming curve (1 = fast, 2 = medium, 3 = slow)
- LED Frequency: Select the preferred frequency (for achieving flicker-free video playback)
- Fan Mode: Select either variable speed (Auto) or always on (High)
- Back Light: Set display to darken after 10, 20 or 30 seconds, or set to always on (On)
- Information: View operating hours, software version and unit ID

DMX FUNCTIONS

- 2-Channel Mode: Controls dimming from 0 ~ 100% and LED frequency selection
- 3-Channel Mode: Adds strobe function
- 6-Channel Mode: Controls dimming, strobe, auto program selection, program speed, dimming curve selection and LED frequency selection

DMX PIN DIAGRAM

DMX - INPUT
XLR plug



Pin1 : GND - Shield
 Pin2 : - Negative
 Pin3 : + Positive
 Pin4 : N/C
 Pin5 : N/C

DMX - OUTPUT
XLR socket



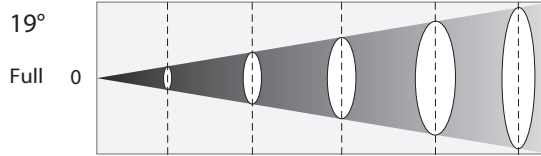
MENU FUNCTIONS

MENU	UP	DOWN	ENTER
Used to access the menu or to return a previous menu option	Navigates downwards through the menu list and increases the numeric value when in a function	Navigates upwards through the menu list and decreases the numeric value when in a function	Used to select and store the current menu or confirm the current function value or option within a menu

Function	Options	Values	Notes
DMX Address	<001 ~ 512>		Default: 001
DMX Mode	2Ch		Default: 6CH
	3Ch		
	6Ch		
Static	Dimmer	<0-255>	Default:
	Strobe	<0-255>	Dimmer: 255 / Strobe: 0
Auto Show	Auto1	<1-100>	Default: Auto 4 / Speed: 100
	Auto2	<1-100>	
	Auto3	<1-100>	
	Auto4	<1-100>	
Master/Slave	Master		Default: Slave
	Slave		
	Off		
Dimmer Mode	Dimmer1		Default: Off Sets dimmer curve
	Dimmer2		
	Dimmer3		
LED Frequency	600Hz		Default: 1200Hz
	1200Hz		
	2000Hz		
	4000Hz		
	25KHz		
Fan Mode	Auto		Default: Auto
	High		
	On		
Back Light	10S		Default: On Sets delay (in seconds)
	20S		
	30S		
Information	Fixture Hours	<9999>	
	Version	<v1.0>	
	UID: 030F00600001		

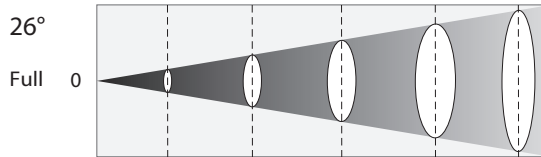
PHOTOMETRICS

Beam Angle: 19°



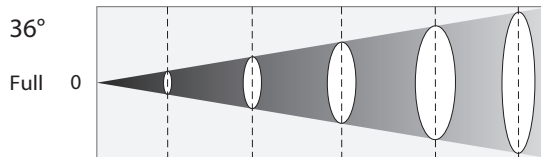
Distance (m)	1m	3m	5m	7m	10m
Luminance (lux)	187650	20850	7550	3830	1877

Beam Angle: 26°



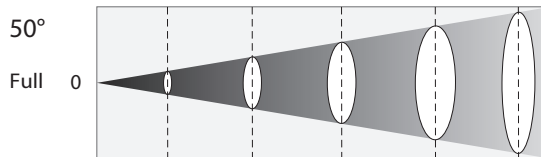
Distance (m)	1m	3m	5m	7m	10m
Luminance (lux)	148500	16500	5940	3031	1485

Beam Angle: 36°



Distance (m)	1m	3m	5m	7m	10m
Luminance (lux)	72450	8050	2950	1479	725

Beam Angle: 50°



Distance (m)	1m	3m	5m	7m	10m
Luminance (lux)	35460	3940	1580	724	355

DMX CHARTS

2-CHANNEL MODE

Channel	Function	Value	Description
1	Dimmer	000-255	0 ~ 100%
2	LED Frequency	See chart below	

3-CHANNEL MODE

1	Dimmer	000-255	0 ~ 100%
2	Strobe	000-010	No Function
		011-255	Slow to Fast
3	LED Frequency	See chart below	

6-CHANNEL MODE

Channel	Function	Value	Description
1	Dimmer	000-255	0 ~ 100%
2	Strobe	000-010	No Function
		011-255	Slow to Fast
3	Auto Programs	000-010	No Function
		011-070	Auto Program 1
		071-130	Auto Program 2
		131-190	Auto Program 3
		191-255	Auto Program 4
4	Program Speed	000-255	0 ~ 100%
5	Dimmer curve	000-051	Preset dimmer speed from display menu
		052-101	Dimmer curve off
		102-152	Dimmer curve mode 1 (fast speed)
		153-203	Dimmer curve mode 2 (medium speed)
		204-255	Dimmer curve mode 3 (slow speed)
6	LED Frequency	000-010	Use frequency set via onboard menu
		011-050	600Hz
		051-100	1200Hz
		101-150	2000Hz
		151-200	4000Hz
		201-255	25KHz

EK